

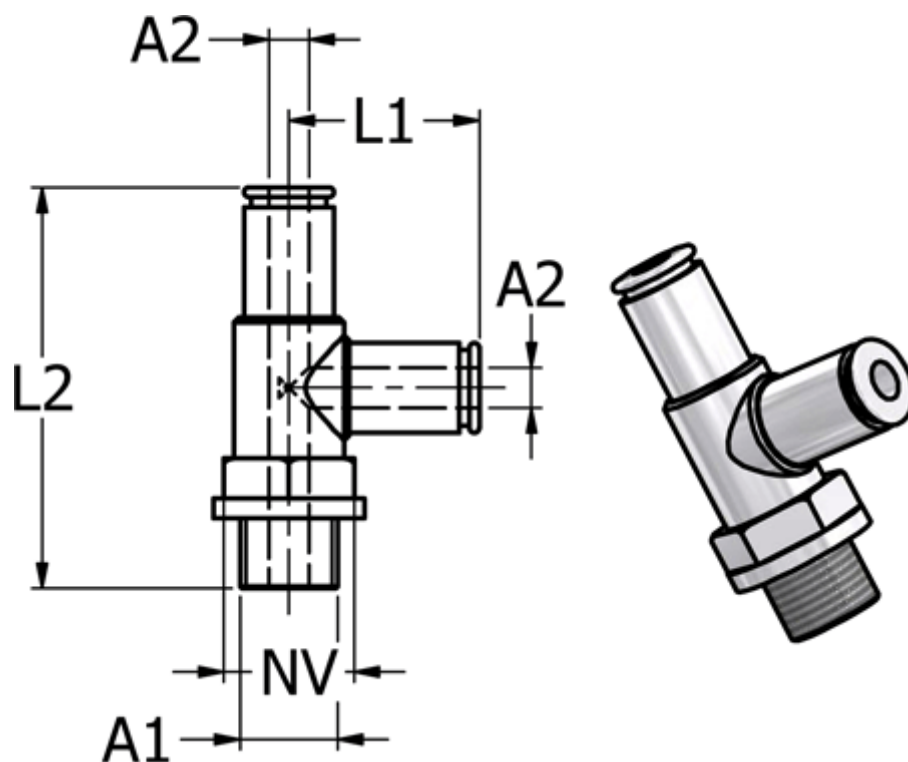
Data Sheet



Article number: 58686203810

Description: Metal Push-in fitting 862.038-10, $\text{\O}10 / \text{\O}10 / \text{G } 3/8''$
Tee with FPM O-ring

Measures



Ext. hose diameter A2	= 10
L1	= 27
L2	= 55
NV	= 16
Thread A1	= G 3/8''